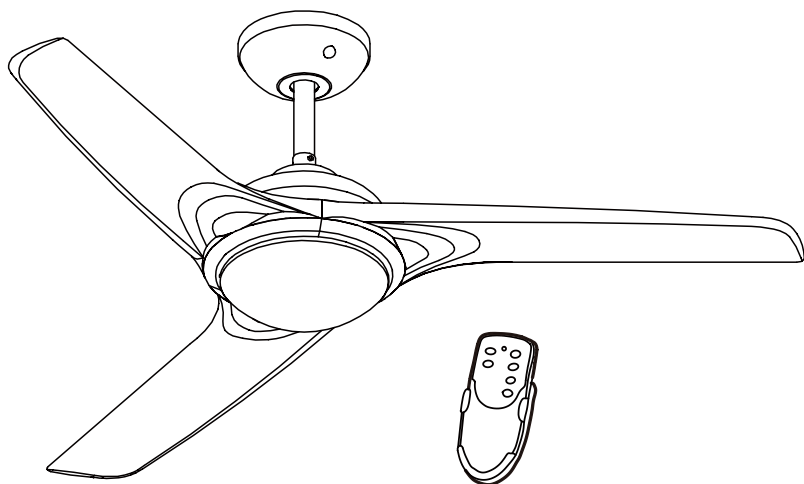


GLOBO

FAN

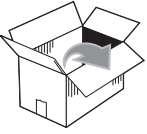
0305

www.globo-lighting.com

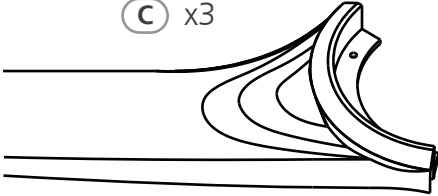


GLOBO Handels GmbH
St. Peter 38
A-9184 St.Jakob/Rosental

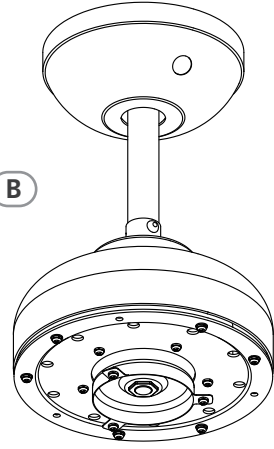




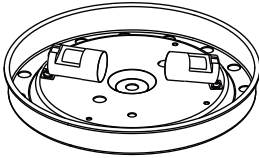
C x3



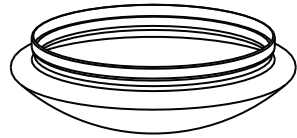
B



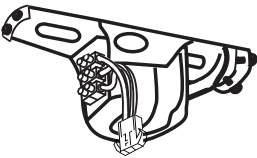
D



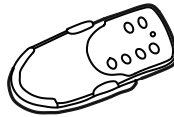
E x1



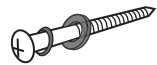
A



G

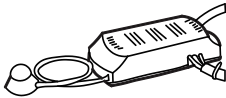


H



x2

F



O

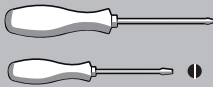
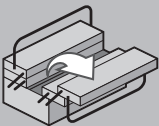


x2

P



x2



+



AA

x2

1.5V

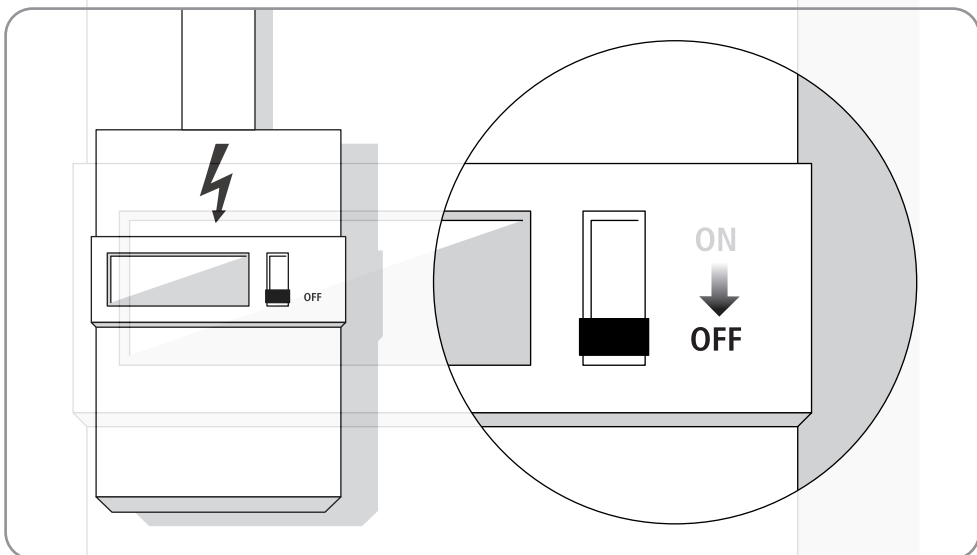
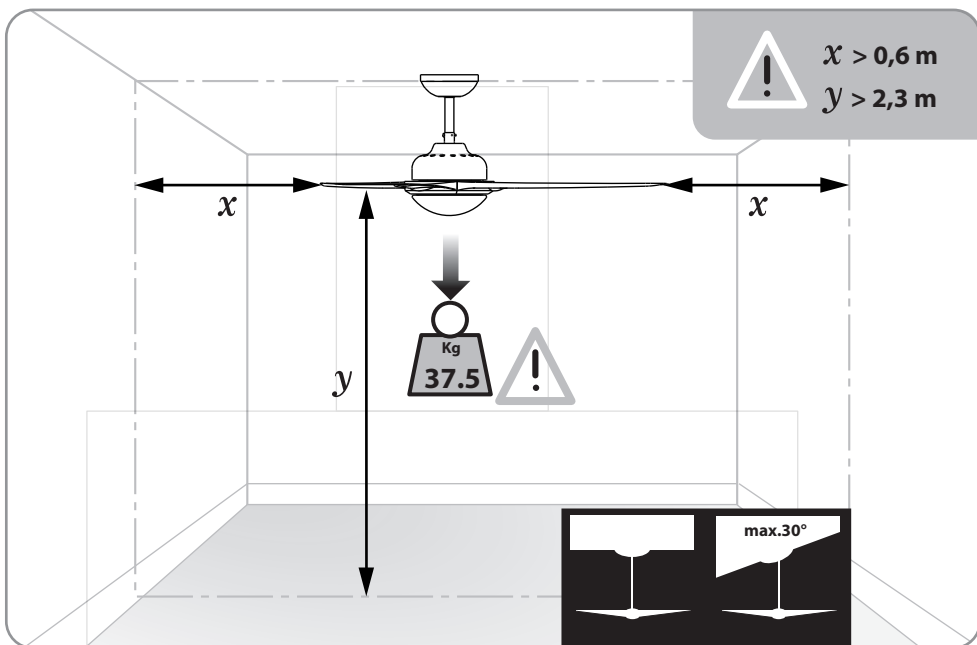


E14 X 2

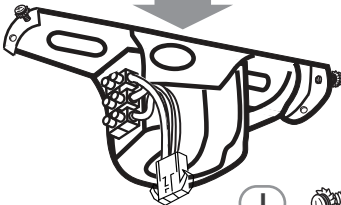
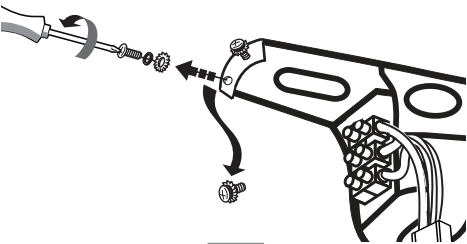
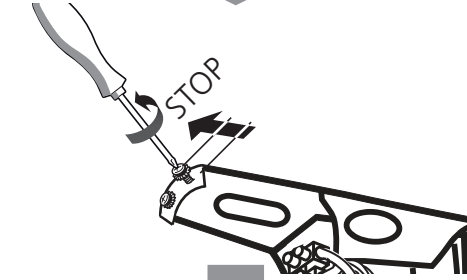
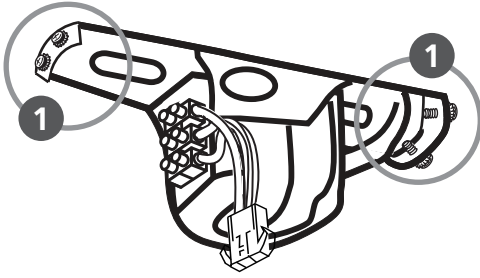


2h





1

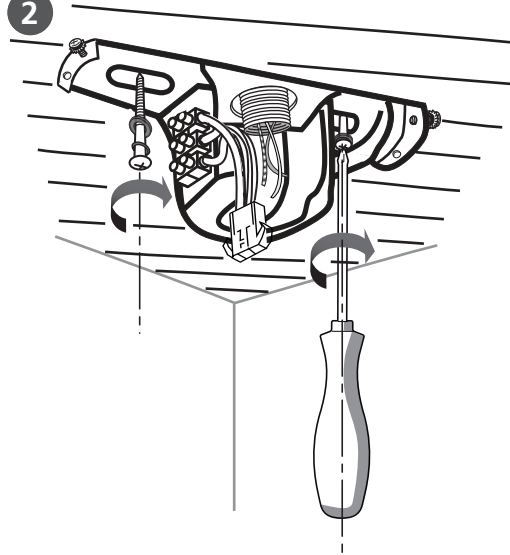


1 x2

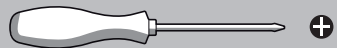
A



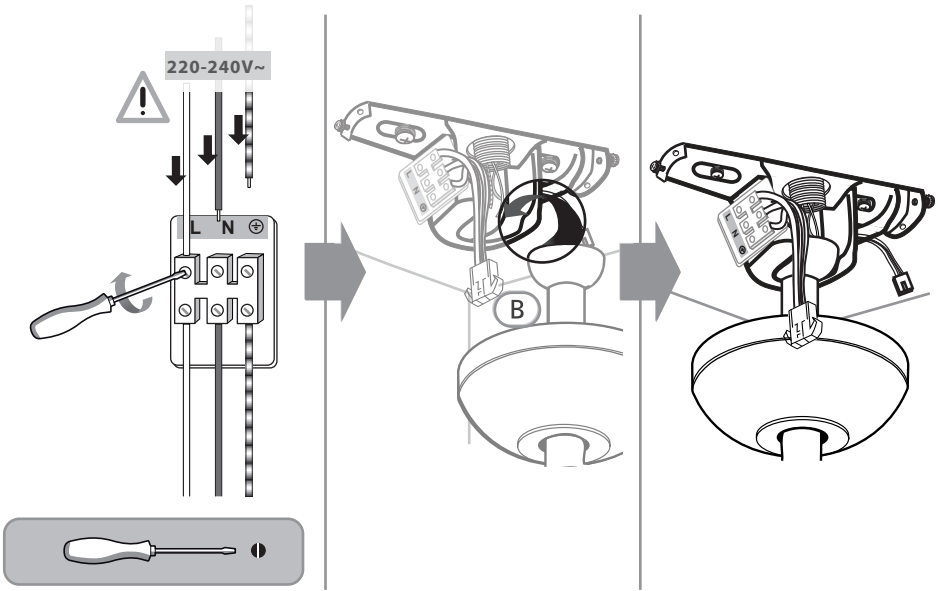
2



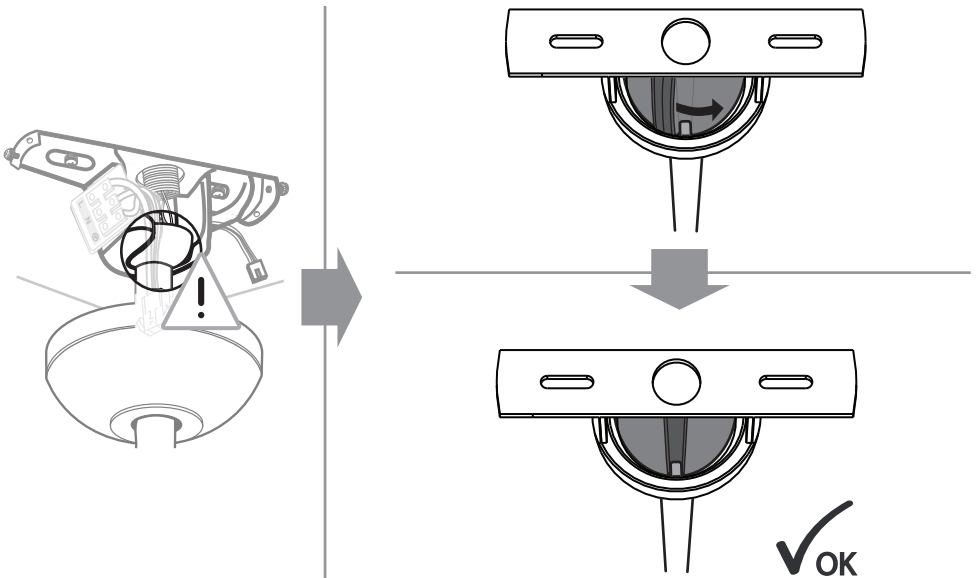
H x2



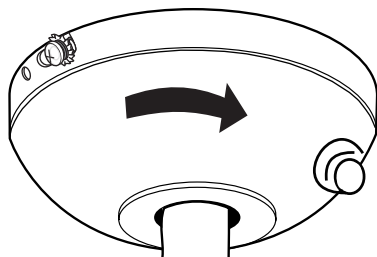
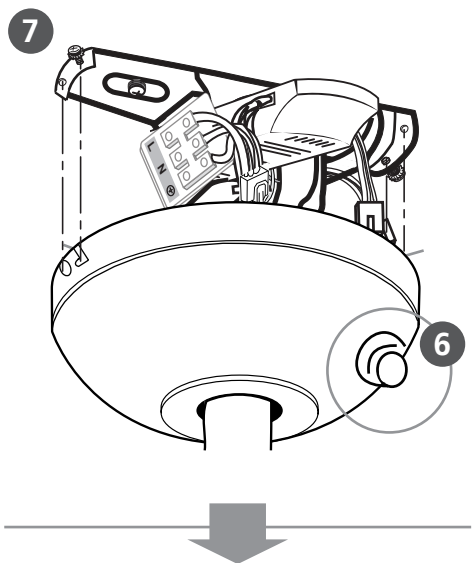
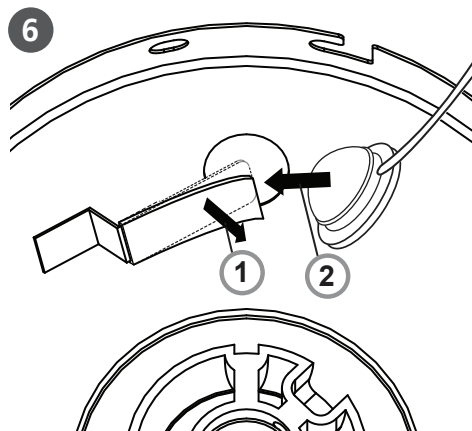
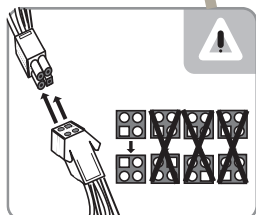
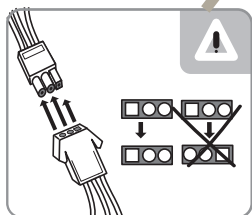
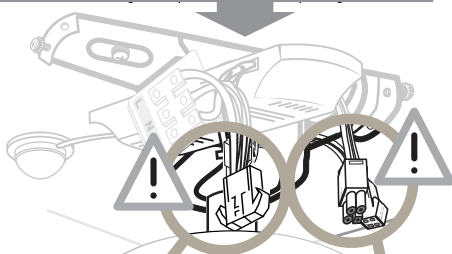
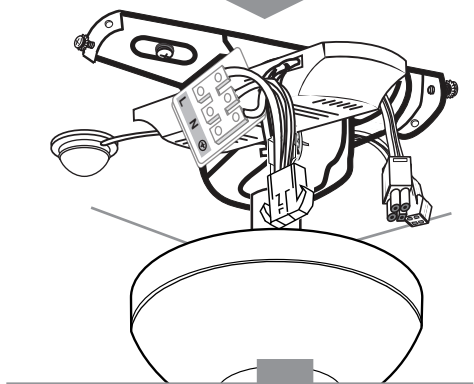
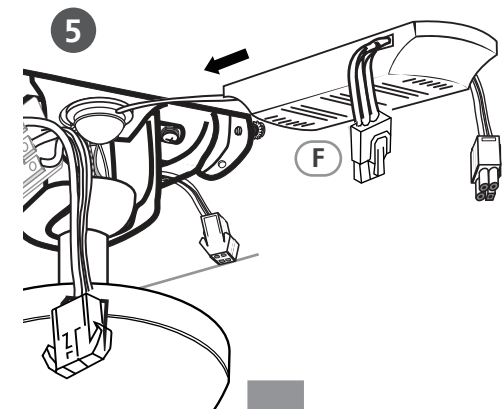
3

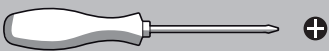
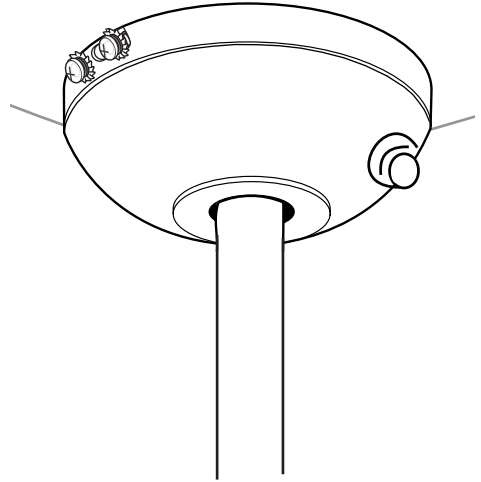
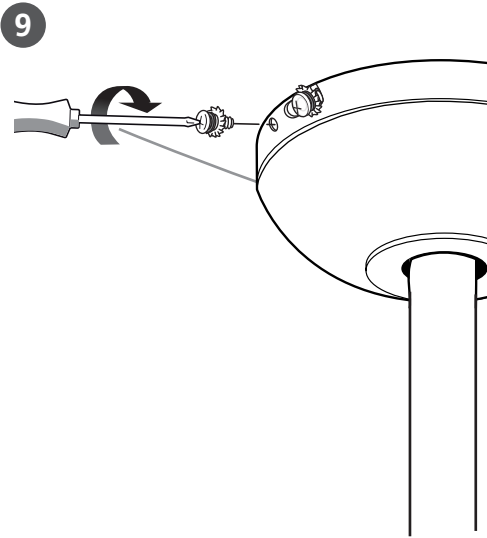
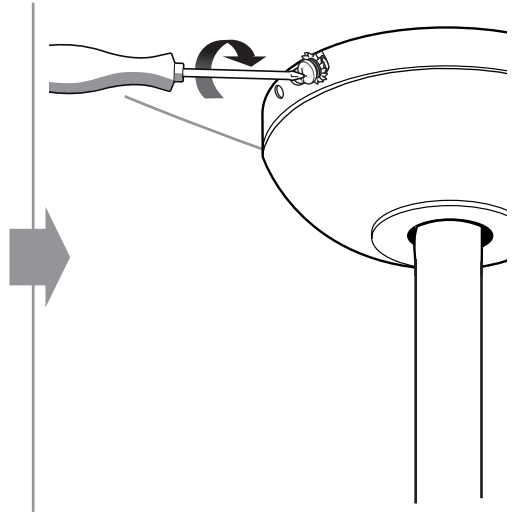
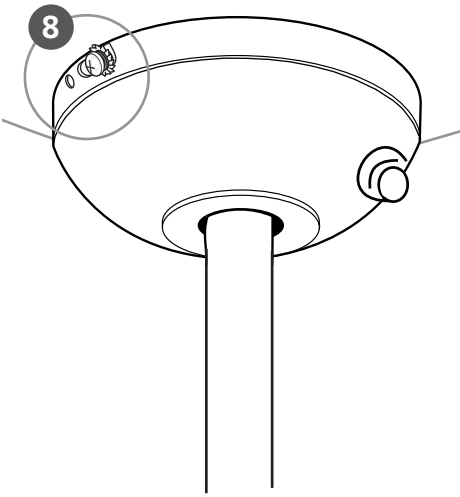


4



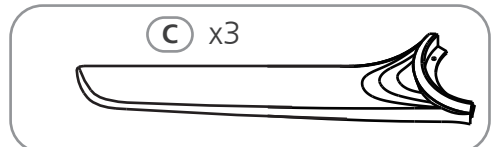
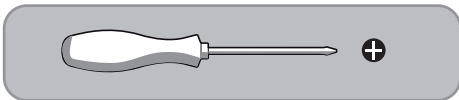
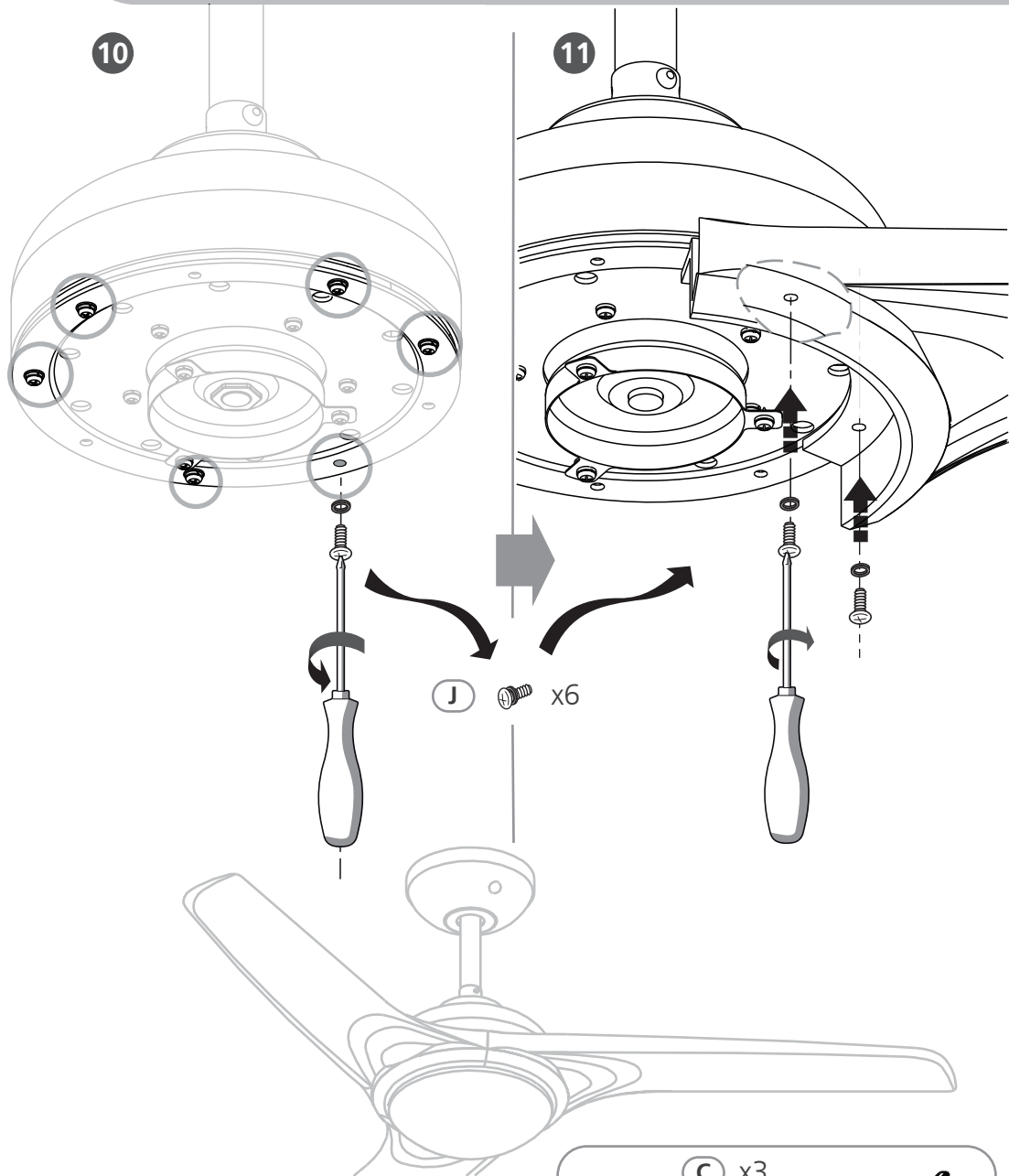
3

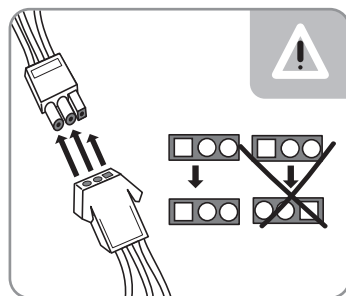
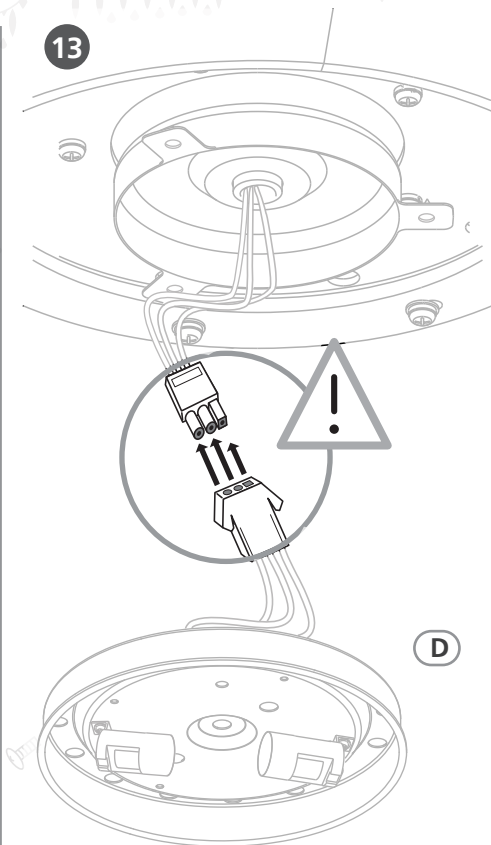
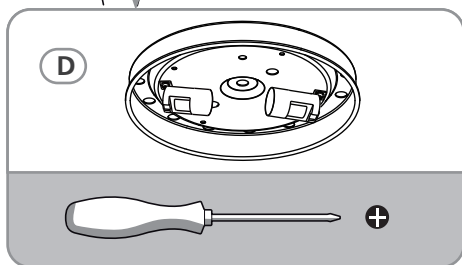
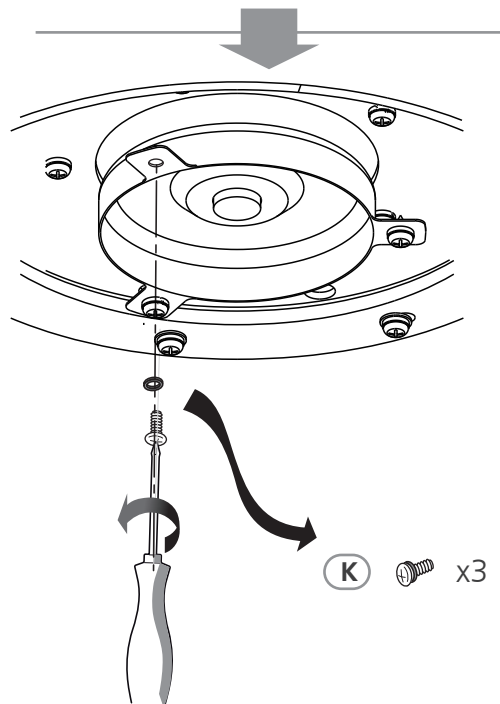
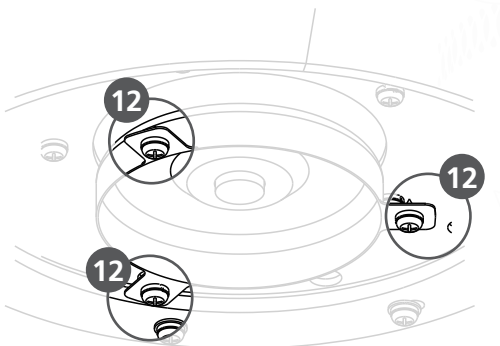


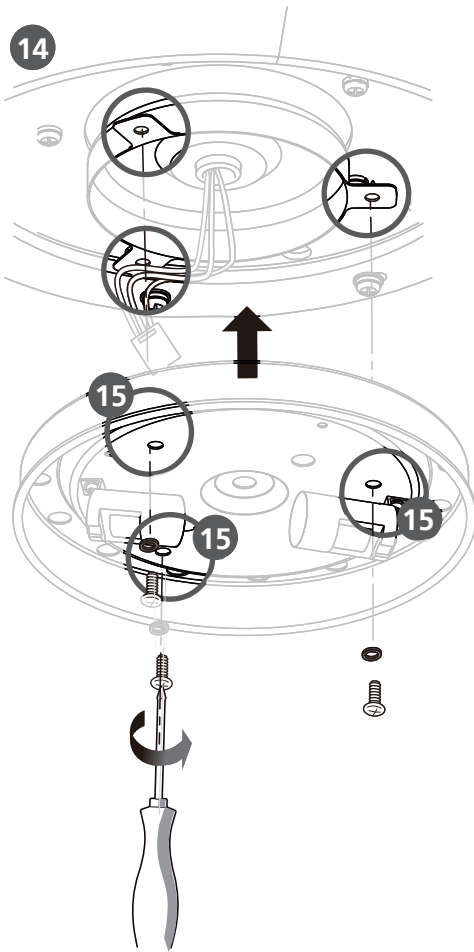


10

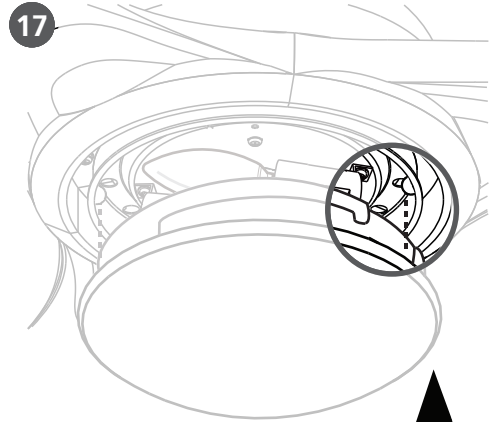
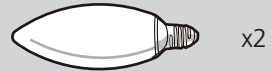
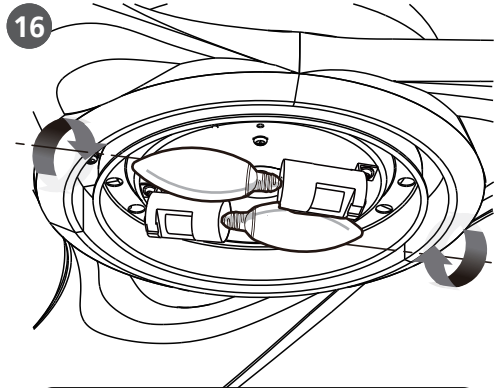
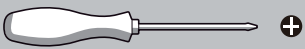
11







K x3



E

